

Spec Sheet

Rally

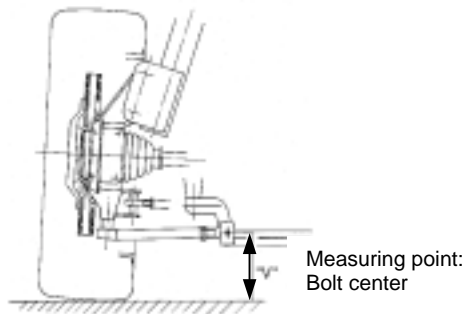
Vehicle: G4K		Date: 17.09.2001			
Engine-No.:		ECU-Issue :			
Driver:		Event: Schotter soll			
	Front Axle			Rear Axle	
Roll-centre pos.	Vo: unten, hi oben			---	
Spring (N/mm or type)	25-50 Proflex 75			350/60/30	
Helper spring (N/mm or type)	60/60/2			60/60/2	
Damper type	G4KSV Set 5			G4KSH Set 1	
Damper settings (R/B – low-high)	12/	8-12	12/	8-12	8/ 3-10 8/ 3-10
Bump stop Ø/length	40/42		40/42		40/42 40/42
Steering spacer (mm)	5/61 Hub				
Anti-Roll bar (D=mm)	Ohne			DF lang Stahl	
ARB blade Position	---		---		Weich Weich
Ride height (see sketch)	240		240		250 250
Spring length (incl. helper)	375		375		370 370
Bumpsteer spacer (s. sketch)	12,6/12,6 außen lang				
Kingpin length (s. sketch)	24mm				
Top mount position (s. sketch)	Innen 5		Innen 5		
Castor (°)	6°50'		6°50'		
Camber (°)	-0°30'		-0°30'		-0°50' -0°50'
Camber spacer	0		0		H19 H19
Track (mm)	0		0		+3
Steering rod length	320				
A-arm length	B-E1 390 / E2-E3 390				
Brakes					
Brake disc	310x28mm			280x9,6mm	
Brake caliper	Alcon 4 Kolben			Alcon 4 Kolben	
Brake master cylinders	0,75			0,875	
Hand brake master cylinder	---			0,7	
Brake pad type	RS4-2			DS3000	
Clutch					
Clutch drive plate	Starr 450Nm				
Clutch master cylinder	0,75				
Wheels					
Wheels	7"x15"			7"x15"	
Tyre size	205/65x15"			205/65x15"	
Tyre pressures	2,0bar			2,0bar	
Gearbox					
Final drive	4,23				
Differential	<input checked="" type="checkbox"/> VC <input type="checkbox"/> ZF GSP				
Ramp angle	Load 20			Off-Load 80	
Friction faces (per side)	6				
Preload (Nm) / End float	80Nm / 0,20				
Weight [kg]	FL	FR	RL	RR	
Various:					

Spec Sheet

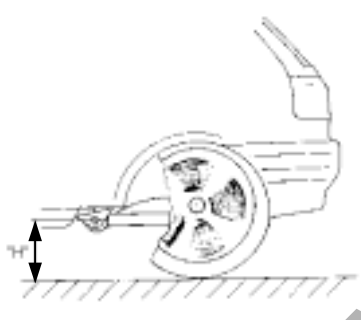
Rally

Delete if not applicable

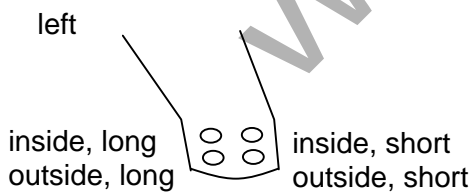
Ride height front



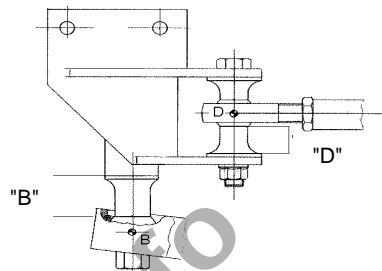
Ride height rear



Tie rod position

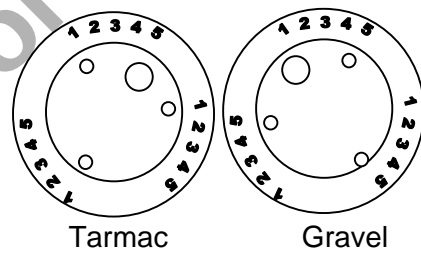


King Pin

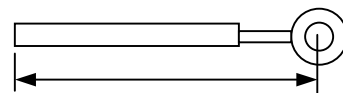


Position of mounting plate

Example: Wheel arch, front / right



Tie rod length



Wishbone length

